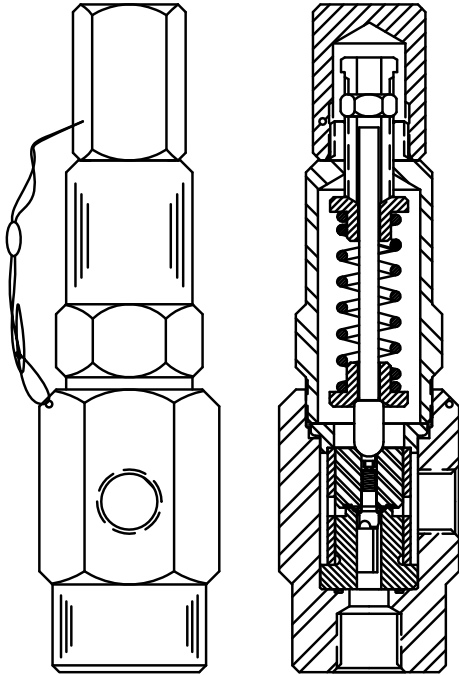


F
M

SAFETY-RELIEF VALVE

MODEL 4400 - A4400 - B4400



GENERAL DESCRIPTION: THESE COMPACT SAFETY RELIEF VALVES ARE DESIGNED TO HANDLE DRY, CLEAN GASES FROM HYDROGEN TO NITROGEN WITH BUBBLE TIGHT PERFORMANCE AND CONSISTENT REPEATABILITY UP TO PRESSURES OF 15,000 PSIG. THESE VALVES CAN BE MADE OF ANY MATERIAL CLASSES UPON REQUEST.

REPLACEABLE INNER VALVE UNITS:HAS PLASTIC SEATS, AS INDICATED BY VALVE SERIES NUMBER.

APPLICATIONS INCLUDE: AIRCRAFT, MISSILE GROUND SUPPORT EQUIPMENT, TESTING, FOOD PROCESSING AND REFRIGERATION EQUIPMENT. MODIFICATIONS CAN BE MADE OF SPECIFIC APPLICATIONS.

CRYOGENIC SERVICE:SPECIAL MATERIALS ADAPT THESE VALVES TO LOW TEMPERATURE SERVICE. CRYOGENIC SERVICE MUST BE STATED AT THE TIME OF ORDERING.

AVAILABLE IN TWO TYPES:

POP TYPE: RELIEF, WITH BLOW DOWN CONTROL
OVERPRESSURE: RELIEF

FULLY PROVEN: MODEL 4400, A4400 & B4400 VALVES HAVE BEEN FULLY TESTED BY GOVERNMENT APPROVED TESTING LABORATORIES.

FACTORY TESTED: ALL MODEL 4400, A4400 & B4400 VALVES ARE SET AND TESTED TO MEET CUSTOMER SPECIFICATIONS AND ARE FULLY WARRANTED FOR ONE YEAR.

