

# SAFETY-RELIEF VALVE

## MODEL 1500

(SERIES 1511,1513,1519)

**\*ASME  
UV CODED  
NATIONAL BOARDED**

**\*ASME UV CODED PER SEC. VIII DIV. I  
AIR & GAS SERVICE.(PLASTIC SEATS ONLY)**

AIR SERVICE MUST HAVE LIFT LEVER  
SEE PAGE 60 FOR LIFTING DEVICES

\*\*THESE DIMENSIONS ARE GOOD FOR  
1" FNPT & MS33649-16 ALSO.

### THREAD CONNECTIONS

*ORIFICE SIZE	INLET	OUTLET
.187	1/4,3/8,1/2,3/4,1" FNPT	1/2,3/4,1" FNPT
	1/4,3/8,1/2,3/4,1" MNPT	MS33649-4,6,8,12,16
	MS33649-4,6,8,10,12,16	
	MS33656-8,10,12,16	
	1/4,3/8,9/16,3/4,1" AUTOCLAVE	
.250 *	1/4,9/16,HP AMINCO GRAYLOC	GRAYLOC
	1/2,3/4,1" FNPT	3/4,1" FNPT
	1/2,3/4,1" MNPT	MS33649-12,16
	MS33649-8,10,12,16 GRAYLOC	GRAYLOC
	MS33656-8,10,12,16	MS16142-12,-16
.375 *	9/16,3/4,1" AUTOCLAVE	3/4,1" FLPT
	3/4, 1" FNPT	1" FNPT
	3/4, 1" MNPT	MS33649-16
	MS33649-12,16 GRAYLOC	MS16142-16, 1" FLPT
	MS33656-12, 3/4,1" AUTOCLAVE	GRAYLOC

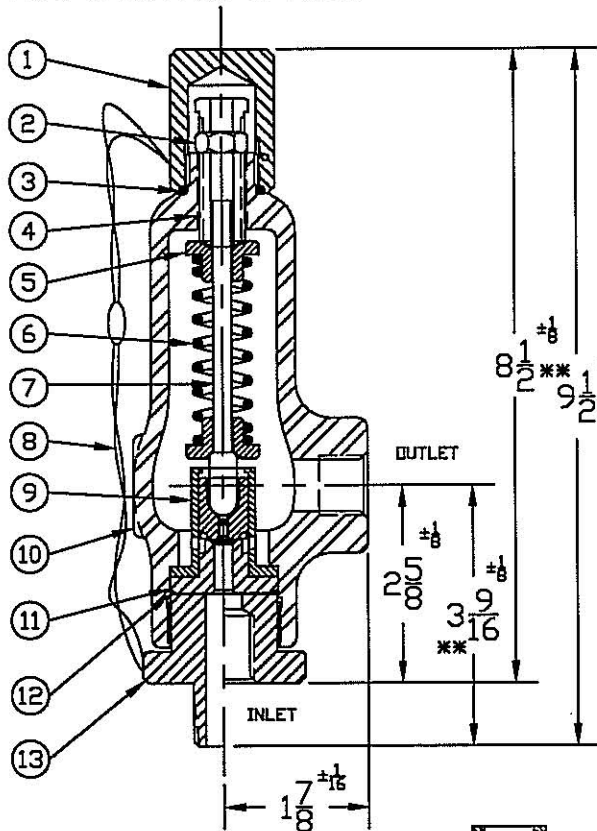
SEE PAGE 23 & 24 FOR CAPACITY CHART

SERIES NO. §	ORIFICE SIZE	SEAT MATERIAL	SET PRESSURE RANGE
* 1511	.250	PLASTIC ONLY	40 - 14,000
* 1513	.375	PLASTIC ONLY	40 - 6,000
1519	.187	PLASTIC ONLY	40 - 15,000

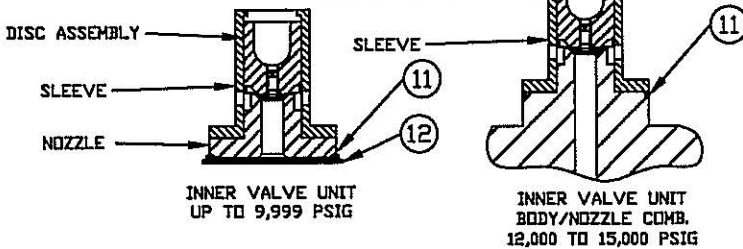
§ SEE PAGE 89 & 90 FOR PART NUMBERING SYSTEM.

### SUGGESTED SEAT MATERIAL

SET PRESSURE	SEAT MATERIAL
40 - 3,000	TEFLON †
3,000 - 5,000	KEL-F †
5,000 - 15,000	VESPEL †



DISC ASSEMBLY



INNER VALVE UNIT  
UP TO 9,999 PSIG

INNER VALVE UNIT  
BODY/NOZZLE COMB.  
12,000 TO 15,000 PSIG

† TEMPERATURE RANGE  
TEFLON : -450°F TO 500°F  
KEL-F : -400°F TO 400°F  
VESPEL : -420°F TO 500°F

† OTHER SPRING MATERIALS  
AVAILABLE UPON REQUEST.

WEIGHT IS APPROX. 7#

\*\*\*IVU FOR .250 & .375  
C/S OR 316 S/S CLASS HAS  
303 S/S SLEEVE  
316 S/S NOZZLE

ITEM NO.	PART NAME	316 S/S MATERIAL CLASS	CARBON STEEL MATERIAL CLASS
1	HOOD	ASTM A479,TYPE 316	ASME SA29,TYPE 12L14
2	LOCKNUT	ASTM A479,TYPE 316	ASTM A582,TYPE 303
3	HOOD SEAL	TEFLON,BUNA-N,VITON	TEFLON,BUNA-N,VITON
4	PRESSURE SCREW	ASTM A479,TYPE 316	ASTM A582,TYPE 303
5	SPRING PLATES	ASTM A479,TYPE 316	ASTM A582,TYPE 303
6	SPRING	ASTM A313,TYPE 17/7	ASTM A313,TYPE 17/7
7	SPRING POST	ASTM A479,TYPE 316	ASTM A582,TYPE 303
8	SEAL & WIRE	LEAD SEAL/S WIRE	LEAD SEAL/S WIRE
9	INNER VALVE UNIT***	ASTM A479,TYPE 316	ASTM A479,TYPE 316
10	BONNET	ASME SA351,TYPE CF8M	ASME SA216,TYPE WCB
11	BODY SEAL	TEFLON,BUNA-N,VITON	TEFLON,BUNA-N,VITON
12	GASKET	TEFLON	TEFLON
13	BODY	ASME SA351,TYPE CF8M	ASME SA29,TYPE 1018