

SAFETY-RELIEF VALVE

MODEL 4000

(SERIES 402,403,405 & 406)

***ASME
UV CODED
NATIONAL BOARDED**

*ASME UV CODED PER SEC. VIII DIV. I
AIR & GAS SERVICE.(PLASTIC SEATS ONLY)

AIR SERVICE MUST HAVE LIFT LEVER
SEE PAGE 60 FOR LIFTING DEVICES

THREAD CONNECTIONS

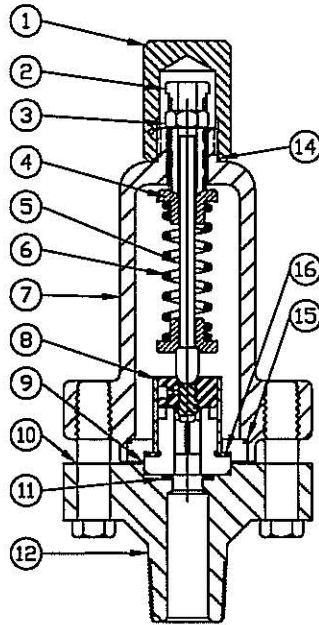
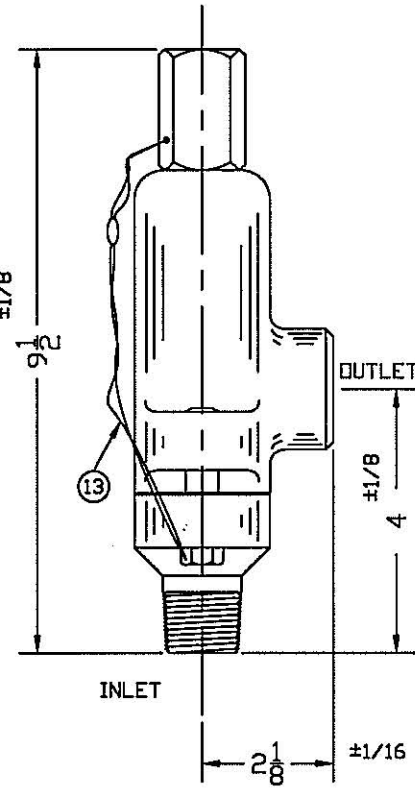
*ORIFICE SIZE	INLET	OUTLET
.250 & .312 *	1/2,3/4,1,1 1/4,1 1/2 MNPT	3/4,1,1 1/4,1 1/2 FNPT
	1/2,3/4,1 FNPT	MS33649-12,16,24
	MS33649-8,10,12,16	3/4,1 SOCKET WELD
	1/2,3/4,1 SOCKET WELD	1/2,3/4-150&-300 RF
.437*	1/2,3/4-150&-300 RF	
	3/4,1,1 1/4,1 1/2 MNPT	1,1 1/4,1 1/2 FNPT
	3/4,1 FNPT	MS33649-16,24
	MS33649-12,16	1 SOCKET WELD
.500	3/4,1 SOCKET WELD	
	3/4-150&-300 RF	
	1,1 1/4,1 1/2 MNPT	1,1 1/4,1 1/2 FNPT
	1 FNPT	MS33649-16,24
	MS33649-16	1 SOCKET WELD
	1 SOCKET WELD	

SERIES NO. §	ORIFICE SIZE	SEAT MATERIAL	SET PRESSURE RANGE
402	.250	PLASTIC ONLY	50 - 11,800
403*	.312	PLASTIC ONLY	50 - *6,000/6,650
405*	.437	PLASTIC ONLY	50 - *3,500/3,650
406	.500	PLASTIC ONLY	50 - 3,750

SUGGESTED SEAT MATERIAL

SET PRESSURE	SEAT MATERIAL
50 - 3,000	TEFLON ¶
3,000 - 5,000	KEL-F ¶
5,000 - 11,800	VESPEL ¶

¶ TEMPERATURE RANGE: TEFLON : -450°F TO 500°F
KEL-F : -400°F TO 400°F
VESPEL : -420°F TO 500°F

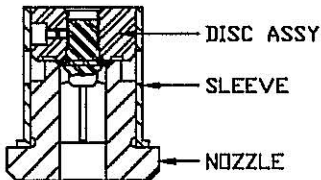


SEE PAGE 51 & 52
FOR CAPACITY CHARTS

† OTHER SPRING MATERIALS
UPON REQUEST.

§ SEE PAGE 91 & 92 FOR
PART NUMBERING SYSTEM.

WEIGHT IS APPROX. 8#



ITEM NO.	PART NAME	BRONZE MATERIAL CLASS	316 S/S MATERIAL CLASS	CARBON STEEL MATERIAL CLASS
1	HOOD	ASTM B16	ASTM A479,TYPE 316	ASME SA29,TYPE 12L14
2	PRESSURE SCREW	ASTM A582,TYPE 303	ASTM A479,TYPE 316	ASTM A582,TYPE 303
3	LOCKNUT	ASTM A582,TYPE 303	ASTM A479,TYPE 316	ASTM A582,TYPE 303
4	SPRING PLATES (2)	ASTM A582,TYPE 303	ASTM A479,TYPE 316	ASTM A582,TYPE 303
5	SPRING POST	ASTM A582,TYPE 303	ASTM A479,TYPE 316	ASTM A582,TYPE 303
6	SPRING	ASTM A313,TYPE 316	ASTM A313,TYPE 316	ASTM A313,TYPE 316
7	BONNET	ASTM B584,ALLOY 875	ASME A351,TYPE CF8M	ASME SA216,TYPE WCB
8	INNER VALVE UNIT	ASTM A582,TYPE 303	ASTM A479,TYPE 316	ASTM A582,TYPE 303
9	RETAINER RING	ASTM A582,TYPE 303	ASTM A479,TYPE 316	ASTM A582,TYPE 303
10	BOLTS (2)	ASTM B16	ASTM A479,TYPE 316	ASME SA29,TYPE 12L14
11	NOZZLE SEAL	TEFLON,BUNA-N,VITON	TEFLON,BUNA-N,VITON	TEFLON,BUNA-N,VITON
12	BODY	ASTM B584,ALLOY 875	ASME A351,TYPE CF8M	ASME SA216,TYPE WCB
13	SEAL & WIRE	LEAD SEAL/COPPER WIRE	LEAD SEAL/S/S WIRE	LEAD SEAL/COPPER WIRE
14	HOOD SEAL	TEFLON,BUNA-N,VITON	TEFLON,BUNA-N,VITON	TEFLON,BUNA-N,VITON
15	RETAINER RING SEAL	TEFLON	TEFLON	TEFLON
16	BACK PRESSURE SEAL	TEFLON	TEFLON	TEFLON