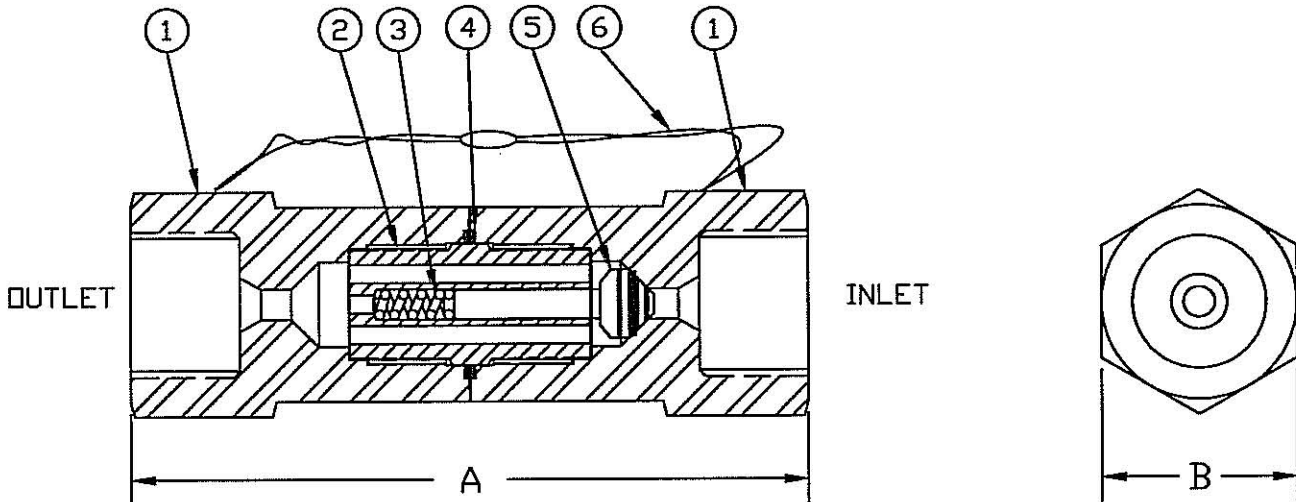


# INLINE CHECK VALVE

## MODEL 5300

DASH NUMBER	AMINGO PORTS	DIMENSIONS		ORIFICE DIA.	APPROX. WEIGHT
		A $\pm 1/16$	B $\pm 1/16$		
-01	1/4	3-1/2	1"	.125	1#
-02	9/16	4-1/2	1-1/2	.312	2#
-03	3/8	3-1/2	1"	.156	1#

§ WITH TEFLON, KEL-F, VESPEL OR METAL SEATS  
SEE PAGE 93 & 94 FOR PART NUMBERING SYSTEM.



ITEM NUMBER	PART NAME	MATERIAL CLASS
1	BODY (2 REQ'D)	ASTM A479,TYPE 316
2	CAGE	ASTM A479,TYPE 316
3	SPRING	ASTM A479,TYPE 316
4	SEAL	TEFLON
5	DISC ASSEMBLY	§ ASTM A479,TYPE 316
6	SEAL & WIRE	ASTM A479,TYPE 316