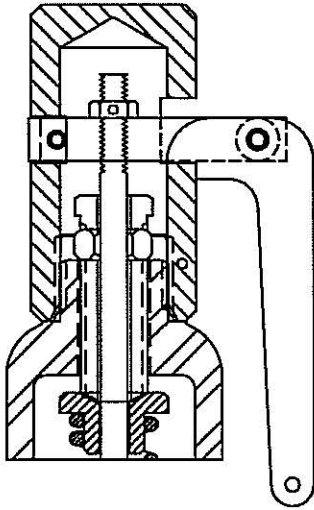
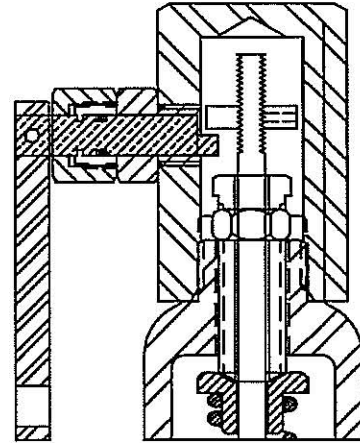


SAFETY-RELIEF VALVE

ACCESSORIES



**NON-PACKED LIFT LEVER
FOR MODEL 1500, 1600, 1700,
4000, 4200, 4400, A4400,
B4400, 4700, 4800 AND 4900**



**PACKED LIFT LEVER
FOR MODEL 1500, 1600, 1700,
4000, 4200, 4400, A4400,
B4400, 4700, 4800 AND 4900**

ORIFICE	DIAMETER		AREA
	1/8	.125	.0123
	3/16	.187	.028
	1/4	.250	.049
	5/16	.312	.076
D	3/8	.375	.1104
	7/16	.437	.1503
E	1/2	.500	.1963
F	5/8	.625	.3068
G	51/64	.800	.503
H	1'	1.000	.7854
J	1-9/32	1.281	1.289