

SAFETY-RELIEF VALVE MODEL 1600 (SERIES 1611 & 1613)

***ASME**

UV CODED

NATIONAL BOARDED

*ASME UV CODED PER SEC. VIII DIV. I
AIR & GAS SERVICE.(PLASTIC SEAT ONLY)

AIR SERVICE MUST HAVE LIFT LEVER
SEE PAGE 60 FOR LIFTING DEVICES

R.F. FLANGE DIMENSIONS

*ORIFICE SIZE	INLET & OUTLET	A ±1/8	B ±1/8	C ±1/16
.250 * & .375 *	1-150 × 1½-150	9-5/8	3-5/8	2-15/16
	1-300 × 1½-150	9-5/8	3-5/8	2-15/16
	1-600 × 1½-150	9-7/8	3-7/8	2-15/16
	1-900 × 1½-300	10-13/16	4-7/8	3-5/8
	1-1500 × 1½-300	10-13/16	4-7/8	3-5/8
	1-2500 × 1½-300	11-1/16	5-1/8	3-5/8
	1½-150 × 1½-150	9-5/8	3-5/8	2-15/16
	1½-150 × 2-150	9-5/8	3-5/8	3-5/8
	1-150 × 2-150	9-5/8	3-5/8	3-5/8
	1-1500 × 1½-1500			

FOR R.T.J. DIMENSIONS, CONSULT FACTORY

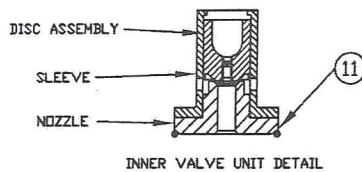
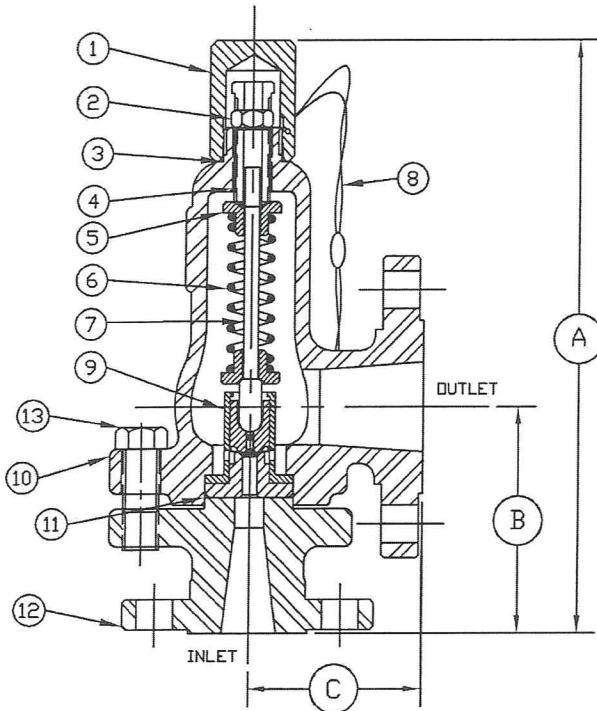
§ SEE PAGE 89 & 90 FOR PART NUMBERING SYSTEM.

SERIES NO. §	ORIFICE SIZE	SEAT MATERIAL	SET PRESSURE RANGE
*1611	.250	PLASTIC ONLY	40 - 6,000
*1613	.375	PLASTIC ONLY	40 - 4,000

SEE PAGE 23 & 24 FOR CAPACITY CHART

SUGGESTED SEAT MATERIAL

SET PRESSURE	SEAT MATERIAL
40 - 3,000	TEFLON †
3,000 - 5,000	KEL-F †
5,000 - 6,000	VESPEL †



† TEMPERATURE RANGE
TEFLON : -450°F TO 500°F
KEL-F : -400°F TO 400°F
VESPEL : -420°F TO 500°F

† OTHER SPRING MATERIALS
AVAILABLE UPON REQUEST.

WEIGHT IS APPROX. 20#
DEPENDING ON FLANGE SIZE

***IVU FOR .250 & .375
C/S OR 316 S/S CLASS IS
303 S/S SLEEVE
316 S/S NOZZLE

ITEM NO.	PART NAME	316 S/S MATERIAL CLASS	CARBON STEEL MATERIAL CLASS
1	HOOD	ASTM A479,TYPE 316	ASME SA29,TYPE 12L14
2	LOCKNUT	ASTM A479,TYPE 316	ASTM A582,TYPE 303
3	HOOD SEAL	TEFLON,BUNA-N,VITON	TEFLON,BUNA-N,VITON
4	PRESSURE SCREW	ASTM A479,TYPE 316	ASTM A582,TYPE 303
5	SPRING PLATES	ASTM A479,TYPE 316	ASTM A582,TYPE 303
6	SPRING	ASTM A313,TYPE 17/7	ASTM A313,TYPE 17/7
7	SPRING POST	ASTM A479,TYPE 316	ASTM A582,TYPE 303
8	SEAL & WIRE	LEAD SEAL:S/S WIRE	LEAD SEAL:S/S WIRE
9	INNER VALVE UNIT***	303 S/S ; 316 S/S	303 S/S ; 316 S/S
10	BONNET	ASME SA351,TYPE CF8M	ASME SA216,TYPE WCB
11	BODY SEAL	TEFLON,BUNA-N,VITON	TEFLON,BUNA-N,VITON
12	BODY	ASME SA351,TYPE CF8M	ASME SA216,TYPE WCB
13	BOLTS (3 REQUIRED)	ASTM A479,TYPE 316	B7