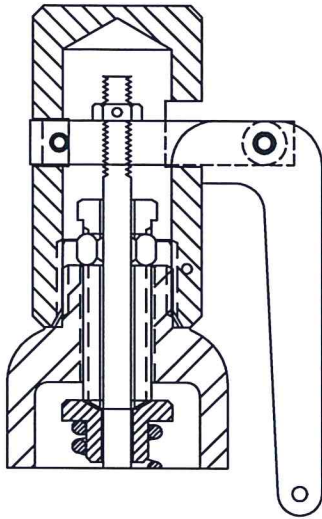
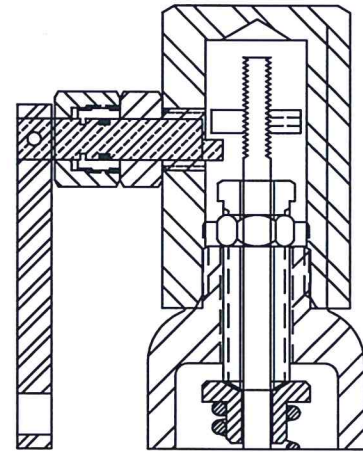




SAFETY-RELIEF VALVE ACCESSORIES



NON-PACKED LIFT LEVER
FOR MODEL 1500, 1600, 1700,
4000, 4200, 4400, A4400,
B4400, 4700, 4800 AND 4900



PACKED LIFT LEVER
FOR MODEL 1500, 1600, 1700,
4000, 4200, 4400, A4400,
B4400, 4700, 4800 AND 4900

ORIFICE	DIAMETER		AREA
	1/8	.125	.0123
	3/16	.187	.028
	1/4	.250	.049
	5/16	.312	.076
D	3/8	.375	.1104
	7/16	.437	.1503
E	1/2	.500	.1963
F	5/8	.625	.3068
G	51/64	.800	.503
H	1"	1.000	.7854
J	1-9/32	1.281	1.289