

SAFETY-RELIEF VALVE

MODEL 1500

(SERIES 1511,1513,1519)

*ASME
UV CODED

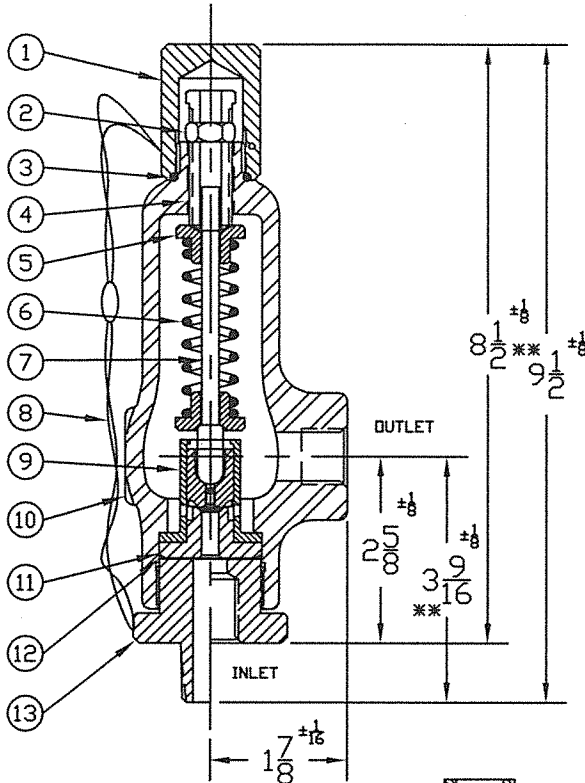
NATIONAL BOARDED

*ASME UV CODED PER SEC. VIII DIV. I
AIR & GAS SERVICE.(PLASTIC SEATS ONLY)

AIR SERVICE MUST HAVE LIFT LEVER
SEE PAGE 60 FOR LIFTING DEVICES

**THESE DIMENSIONS ARE GOOD FOR
1" FNPT & MS33649-16 ALSO.

THREAD CONNECTIONS

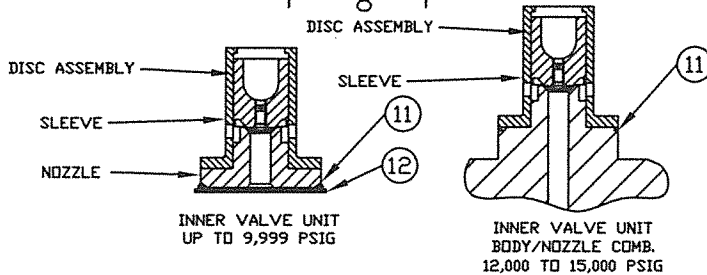


| *ORIFICE SIZE | INLET | OUTLET |
|---------------|-------------------------------|---------------------|
| .187 | 1/4,3/8,1/2,3/4,1" FNPT | 1/2,3/4,1" FNPT |
| | 1/4,3/8,1/2,3/4,1" MNPT | MS33649-4,6,8,12,16 |
| | MS33649-4,6,8,10,12,16 | |
| | MS33656-8,10,12,16 | |
| | 1/4,3/8,9/16,3/4,1" AUTOCLAVE | |
| .250 * | 1/4,9/16,HP AMINCO GRAYLOC | GRAYLOC |
| | 1/2,3/4,1" FNPT | 3/4,1" FNPT |
| | 1/2,3/4,1" MNPT | MS33649-12,16 |
| | MS33649-8,10,12,16 GRAYLOC | GRAYLOC |
| | MS33656-8,10,12,16 | MS16142-12,-16 |
| .375 * | 9/16,3/4,1" AUTOCLAVE | 3/4,1" FLPT |
| | 3/4, 1" FNPT | 1" FNPT |
| | 3/4, 1" MNPT | MS33649-16 |
| | MS33649-12,16 GRAYLOC | MS16142-16, 1" FLPT |
| | MS33656-12, 3/4,1" AUTOCLAVE | GRAYLOC |

SEE PAGE 23 & 24 FOR CAPACITY CHART

| SERIES NO. § | ORIFICE SIZE | SEAT MATERIAL | SET PRESSURE RANGE |
|--------------|--------------|---------------|--------------------|
| * 1511 | .250 | PLASTIC ONLY | 40 - 15,000 |
| * 1513 | .375 | PLASTIC ONLY | 40 - 6,000 |
| 1519 | .187 | PLASTIC ONLY | 40 - 15,000 |

§ SEE PAGE 89 & 90 FOR PART NUMBERING SYSTEM.



SUGGESTED SEAT MATERIAL

| SET PRESSURE | SEAT MATERIAL |
|----------------|---------------|
| 40 - 3,000 | TEFLON † |
| 3,000 - 5,000 | KEL-F † |
| 5,000 - 15,000 | VESPEL † |

† TEMPERATURE RANGE
TEFLON : -450°F TO 500°F
KEL-F : -400°F TO 400°F
VESPEL : -420°F TO 500°F

† OTHER SPRING MATERIALS
AVAILABLE UPON REQUEST.

WEIGHT IS APPROX. 7#

***IVU FOR .250 & .375
C/S OR 316 S/S CLASS HAS
303 S/S SLEEVE
316 S/S NOZZLE

| ITEM NO. | PART NAME | 316 S/S MATERIAL CLASS | CARBON STEEL MATERIAL CLASS |
|----------|---------------------|------------------------|-----------------------------|
| 1 | HOOD | ASTM A479,TYPE 316 | ASME SA29,TYPE 12L14 |
| 2 | LOCKNUT | ASTM A479,TYPE 316 | ASTM A582,TYPE 303 |
| 3 | HOOD SEAL | TEFLON,BUNA-N,VITON | TEFLON,BUNA-N,VITON |
| 4 | PRESSURE SCREW | ASTM A479,TYPE 316 | ASTM A582,TYPE 303 |
| 5 | SPRING PLATES | ASTM A479,TYPE 316 | ASTM A582,TYPE 303 |
| 6 | SPRING | ASTM A313,TYPE 17/7 | ASTM A313,TYPE 17/7 |
| 7 | SPRING POST | ASTM A479,TYPE 316 | ASTM A582,TYPE 303 |
| 8 | SEAL & WIRE | LEAD SEAL,S/S WIRE | LEAD SEAL,S/S WIRE |
| 9 | INNER VALVE UNIT*** | ASTM A479,TYPE 316 | ASTM A479,TYPE 316 |
| 10 | BONNET | ASME SA351,TYPE CF8M | ASME SA216,TYPE WCB |
| 11 | BODY SEAL | TEFLON,BUNA-N,VITON | TEFLON,BUNA-N,VITON |
| 12 | GASKET | TEFLON | TEFLON |
| 13 | BODY | ASME SA351,TYPE CF8M | ASME SA29,TYPE 1018 |