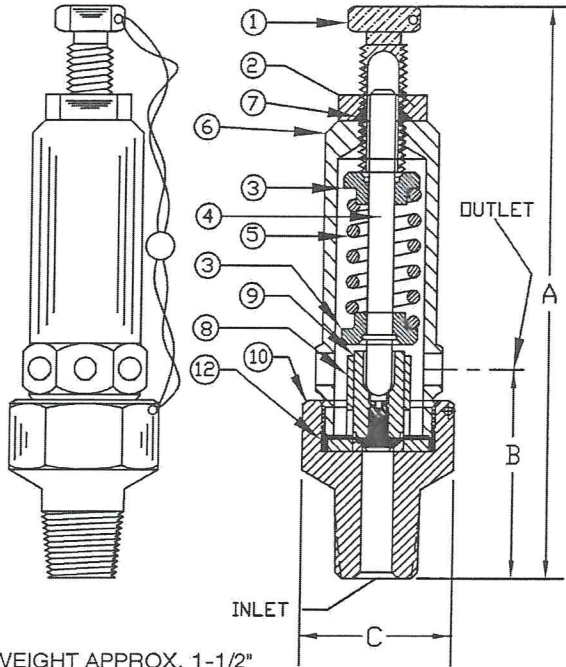




# SAFETY-RELIEF VALVE MODEL 3600

(SERIES 360, 362, & 363)

FOR AIR & GAS SERVICE  
AT 10% OVERPRESSURE  
METAL SEATS ONLY



WEIGHT APPROX. 1-1/2"

### DIMENSIONS

A±1/8	B±1/8	C(HEX)	INLET CONNECTIONS
5-1/2	2-1/8	1-3/8	1/4,3/8,1/2,3/4 MNPT MS33649-8 1/2 FNPT
5-1/8	1-3/4	1-3/8	1/8,1/4,3/8 FNPT MS33649-4,6 1/4,3/8 AMINCO MS33656-4,6,8
5-1/2	1-3/4	1-1/2	9/16 AMINCO
6-1/2	3-1/8	1-3/8	1/2 SOCKET WELD

### THREAD CONNECTIONS

ORIFICE SIZE	INLET	OUTLET
.156 & .250	1/4,3/8,1/2,3/4 MNPT	OPEN
	1/8,1/4,3/8,1/2 FNPT	1/8 FNPT
	MS33649-4,6,8	
	MS33656-4,6,8	
	1/4,3/8,9/16 HP AMINCO	
.312	1/2 SOCKET WELD	
	1/2,3/4 MNPT	OPEN
	1/2 FNPT	
	MS33649-8	
	MS33656-8	
	1/2 SOCKET WELD	

SERIES NO. §	ORIFICE SIZE	SEAT MATERIAL	MAX. SET PRESSURE
360	.156	METAL ONLY	17,000
362	.250	METAL ONLY	10,625
363	.312	METAL ONLY	7,050

§ SEE PAGE 91 & 92 FOR PART NUMBERING SYSTEM.

£ OTHER SPRING MATERIALS  
AVAILABLE UPON REQUEST.

(HIGH PRESSURE SPRINGS ARE MADE OF 17-7 PH)

ITEM NO.	PART NAME	303 S/S MATERIAL CLASS	316 S/S MATERIAL CLASS	BRASS MATERIAL CLASS
1	PRESSURE SCREW	ASTM A582,TYPE 303	ASTM A479,TYPE 316	ASTM B16
2	LOCKNUT	ASTM A582,TYPE 303	ASTM A479,TYPE 316	ASTM B16
3	SPRING PLATES (2)	ASTM A582,TYPE 303	ASTM A479,TYPE 316	ASTM B16
4	SPRING POST	ASTM A582,TYPE 303	ASTM A479,TYPE 316	ASTM B16
£ 5	SPRING	ASTM A313,TYPE 316	ASTM A313,TYPE 316	ASTM A313,TYPE 316
6	BONNET	ASTM A313,TYPE 316	ASTM A313,TYPE 316	ASTM B16
7	LOCKNUT SEAL	TEFLON,BUNA-N,VITON	TEFLON,BUNA-N,VITON	TEFLON,BUNA-N,VITON
8	DISC GUIDE	ASTM A582,TYPE 303	ASTM A479,TYPE 316	ASTM B16
9	DISC ASSEMBLY	ASTM A582,TYPE 303	ASTM A479,TYPE 316	ASTM B16
10	BODY	ASTM A582,TYPE 303	ASTM A479,TYPE 316	ASTM B16
11	SEAL & WIRE	LEAD SEAL: S/S WIRE	LEAD SEAL: S/S WIRE	LEAD SEAL: S/S WIRE
12	BODY/BONNET SEAL	TEFLON,BUNA-N,VITON	TEFLON,BUNA-N,VITON	TEFLON,BUNA-N,VITON