

# SAFETY-RELIEF VALVE MODEL 1500

(SERIES 1521,1523,1524,1525 & 1529)

\*ASME

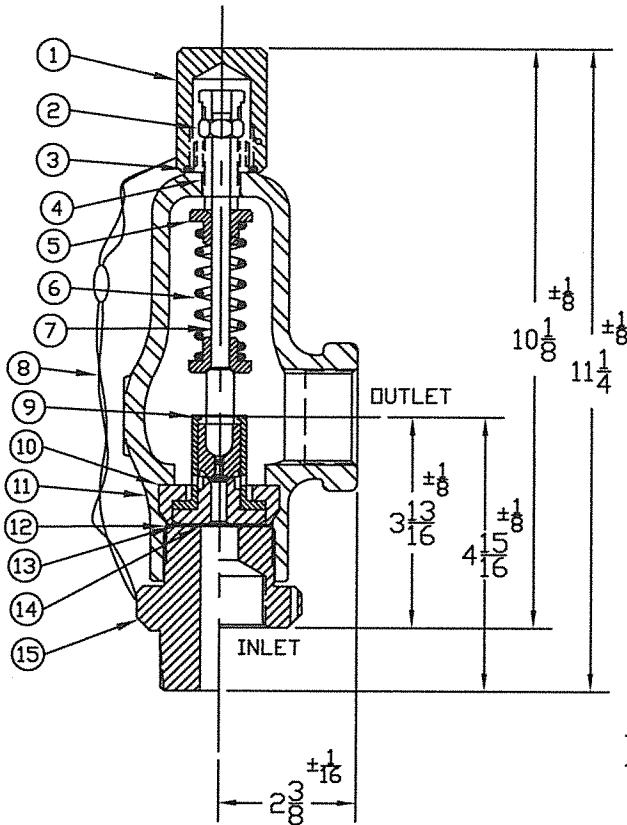
UV CODED

NATIONAL BOARDED

\*ASME UV CODED PER SEC. VIII DIV. I  
AIR & GAS SERVICE.(PLASTIC SEATS ONLY)

AIR SERVICE MUST HAVE LIFT LEVER  
SEE PAGE 60 FOR LIFTING DEVICES

THREAD CONNECTIONS



| *ORIFICE SIZE   | INLET                          | OUTLET                    |
|-----------------|--------------------------------|---------------------------|
| .187 & .250 *   | 1/2, 3/4, 1, 1 1/4, 1 1/2 MNPT | 3/4, 1, 1 1/4, 1 1/2 FNPT |
|                 | 1/2, 3/4, 1, 1 1/4, 1 1/2 FNPT | MS33649-12,16,20,24       |
|                 | MS33649-8,10,12,16,20,24       | GRAYLOC                   |
|                 | MS33656-8,10,12,16,24          |                           |
|                 | 9/16,3/4,1' AUTOCLAVE          |                           |
| .375 *          | 3/4, 1, 1 1/4, 1 1/2 MNPT      | 1, 1 1/4, 1 1/2 FNPT      |
|                 | 3/4, 1, 1 1/4, 1 1/2 FNPT      | MS33649-16,20,24          |
|                 | MS33649-12,16,20,24            | GRAYLOC                   |
|                 | MS33656-12,16,24               | GRAYLOC                   |
|                 | 3/4,1' AUTOCLAVE               |                           |
| .500 * & .625 * | 1, 1 1/4, 1 1/2 MNPT           | 1 1/2 FNPT                |
|                 | 1, 1 1/4, 1 1/2 FNPT           | MS33649-24                |
|                 | MS33649-16,20,24               | GRAYLOC                   |
|                 | MS33656-16,24                  | GRAYLOC                   |
|                 | 1' AUTOCLAVE                   |                           |

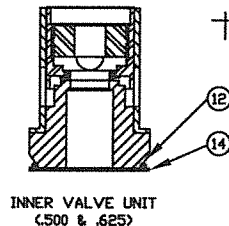
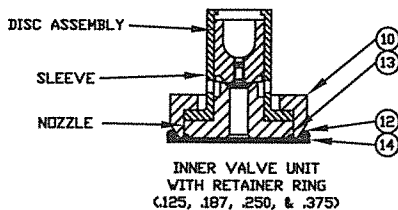
SEE PAGE 23 & 24 FOR CAPACITY CHART

| SERIES NO. § | ORIFICE SIZE | SEAT MATERIAL | SET PRESSURE RANGE  |
|--------------|--------------|---------------|---------------------|
| * 1521       | .250         | PLASTIC ONLY  | 40 - *15,000/15,500 |
| * 1523       | .375         | PLASTIC ONLY  | 40 - *6,000/8,000   |
| * 1524       | .500         | PLASTIC ONLY  | 40 - 2,750          |
| * 1525       | .625         | PLASTIC ONLY  | 40 - 1,500          |
| 1529         | .187         | PLASTIC ONLY  | 14,000 - 33,000     |

§ SEE PAGE 89 & 90 FOR PART NUMBERING SYSTEM.

### SUGGESTED SEAT MATERIAL

| SET PRESSURE   | SEAT MATERIAL |
|----------------|---------------|
| 40 - 3,000     | TEFLON †      |
| 3,000 - 5,000  | KEL-F †       |
| 5,000 - 33,000 | VESPEL †      |



† TEMPERATURE RANGE  
TEFLON : -450°F TO 500°F  
KEL-F : -400°F TO 400°F  
VESPEL : -420°F TO 500°F

‡ OTHER SPRING MATERIALS AVAILABLE UPON REQUEST.

WEIGHT IS APPROX. 12#

† USE RETAINER & RETAINER SEAL FOR THESE INNER VALVE UNITS ONLY.

\*\*\*IVU FOR .250 & .375 C/S OR 316 S/S CLASS HAS 303 S/S SLEEVE 316 S/S NOZZLE

| ITEM NO. | PART NAME           | 316 S/S MATERIAL CLASS | CARBON STEEL MATERIAL CLASS |
|----------|---------------------|------------------------|-----------------------------|
| 1        | HOOD                | ASTM A479,TYPE 316     | ASME SA29,TYPE 12L14        |
| 2        | LOCKNUT             | ASTM A479,TYPE 316     | ASTM A582,TYPE 303          |
| 3        | HOOD SEAL           | TEFLON,BUNA-N,VITON    | TEFLON,BUNA-N,VITON         |
| 4        | PRESSURE SCREW      | ASTM A479,TYPE 316     | ASTM A582,TYPE 303          |
| 5        | SPRING PLATES       | ASTM A479,TYPE 316     | ASTM A582,TYPE 303          |
| 6        | SPRING              | ASTM A313,TYPE 17/7    | ASTM A313,TYPE 17/7         |
| 7        | SPRING POST         | ASTM A479,TYPE 316     | ASTM A582,TYPE 303          |
| 8        | SEAL & WIRE         | LEAD SEAL/S/S WIRE     | LEAD SEAL/S/S WIRE          |
| 9        | INNER VALVE UNIT*** | ASTM A479,TYPE 316     | ASTM A479,TYPE 316          |
| 10       | RETAINER            | ASTM A479,TYPE 316     | ASTM A582,TYPE 303          |
| 11       | BONNET              | ASME SA351,TYPE CF8M   | ASME SA216,TYPE WCB         |
| 12       | BODY SEAL           | TEFLON,BUNA-N,VITON    | TEFLON,BUNA-N,VITON         |
| 13       | RETAINER SEAL       | TEFLON,BUNA-N,VITON    | TEFLON,BUNA-N,VITON         |
| 14       | GASKET              | TEFLON                 | TEFLON                      |
| 15       | BODY                | ASTM A479,TYPE 316     | ASME SA29,TYPE 1018         |