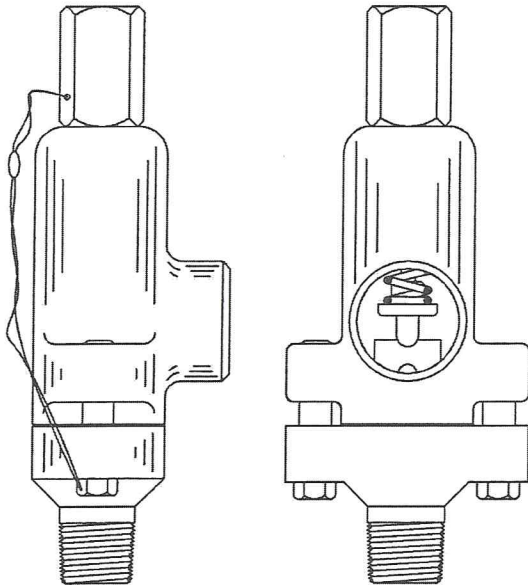


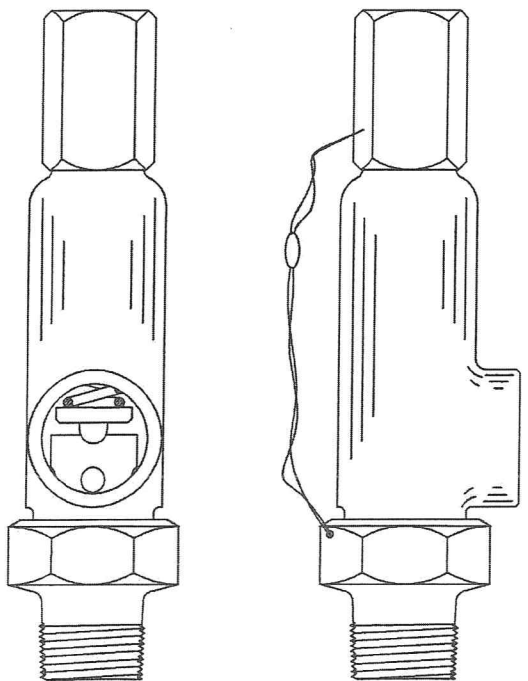


SAFETY-RELIEF VALVE

MODEL 4000 - 4200



MODEL 4000



MODEL 4200

GENERAL DESCRIPTION: THESE PRECISION MADE SAFETY RELIEF VALVES FEATURE REPLACEABLE INNER VALVE UNITS OF STAINLESS STEEL AND EXCEPTIONALLY HEAVY CAST METAL BODIES. PERFORMANCE IS BUBBLE TIGHT AFTER REPEATED OPERATION. MODEL 4000 & 4200 VALVES ARE HIGHLY SUITABLE TO OIL FIELD AND PROCESSING USE.

APPLICATIONS INCLUDE:

- GAS AND AIR SYSTEMS
- OIL AND GAS SEPERATORS
- GAS DEHYDRATION SYSTEMS
- NON-COOKING REFINERY SERVICE
- PIPELINE INJECTION PUMPS
- SALT WATER DISPOSAL PUMPS
- HYDRAULIC PRESSURE SYSTEMS
- RECIPROCATING PUMPS
- CHEMICAL PROCESSING

NAVY APPLICATIONS: OUR 4000 MODEL IS AVAILABLE IN UNION CONNECTIONS PER NAVY SPECIFICATIONS . CONSULT FACTORY.

MIL-F-1183
810-1385884
810-1385943
810-1385946

REPLACEABLE INNER VALVE UNITS: CONSISTS OF A STAINLESS STEEL NOZZLE AND CAST STAINLESS STEEL DISC WHICH ARE GROUND AND TESTED AS A UNIT.

STRESS-FREE NOZZLE: THE STAINLESS STEEL NOZZLE IS FREE OF TORQUE STRESS AND DISTORTION AROUND THE SEAT AREA, SINCE IT IS NOT SCREWED INTO THE MAIN BODY.

POSITIVE RESEATING: IS ASSURED BY MEANS OF TOP AND BOTTOM GUIDES.

BODY AND BONNET: ARE AVAILABLE IN CARBON STEEL, STAINLESS STEEL AND BRONZE.

SPRING: IS AVAILABLE IN VARIOUS STEEL ALLOYS.

LIFT LEVERS: CAN BE FURNISHED.

FACTORY TESTED: EACH MODEL 4000 & 4200 FLUID MECHANICS SAFETY RELIEF VALVE IS FACTORY TESTED AND FULLY WARRANTED FOR ONE YEAR.