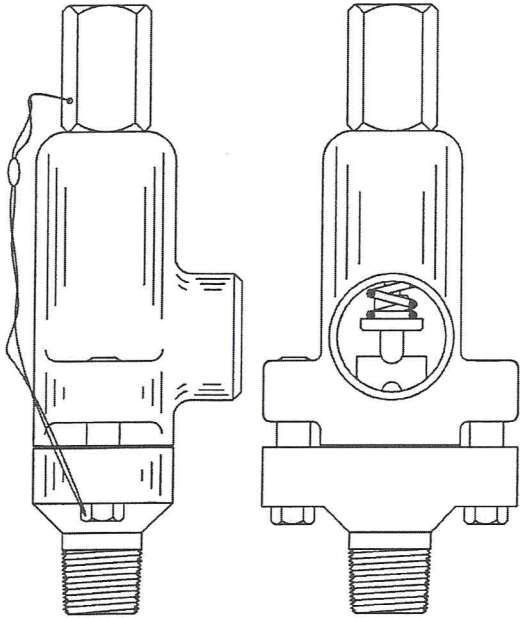


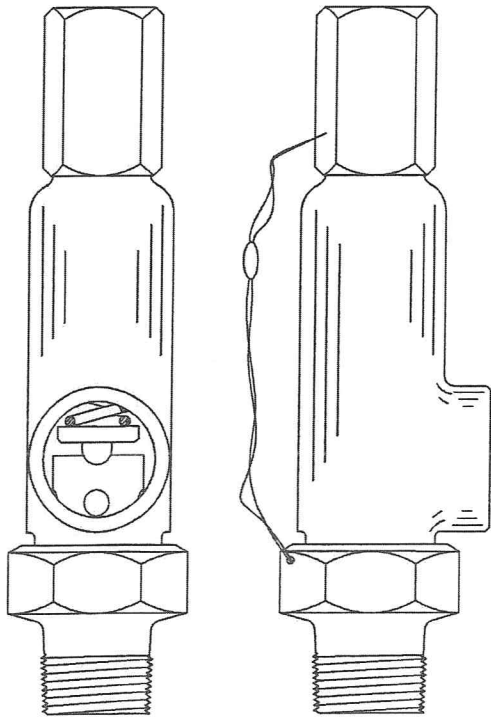


# SAFETY-RELIEF VALVE

## MODEL 4700 - 4900



MODEL 4700



MODEL 4900

**GENERAL DESCRIPTION:** THESE PRECISION MADE SAFETY RELIEF VALVES FEATURE REPLACEABLE INNER VALVE UNITS OF STAINLESS STEEL AND EXCEPTIONALLY HEAVY CAST METAL BODIES ON THE 4700 MODEL. PERFORMANCE IS BUBBLE-TIGHT AFTER REPEATED OPERATIONS. MODEL 4700 AND 4900 VALVES ARE HIGHLY SUITABLE TO OIL FIELD AND PROCESSING USE.

**APPLICATIONS INCLUDE:**

- GAS AND AIR SYSTEMS
- OIL AND GAS SEPERATORS
- GAS DEHYDRATION SYSTEMS
- GAS BOOSTER SYSTEMS
- NON-COOKING REFINERY SERVICE
- PIPELINE INJECTION PUMPS
- SALT WATER DISPOSAL PUMPS
- HYDRAULIC PRESSURE SYSTEMS
- RECIPROCATING PUMPS
- CHEMICAL PROCESSING
- NAVAL APPLICATIONS

**REPLACEABLE INNER VALVE UNITS:** CONSISTS OF A STAINLESS STEEL NOZZLE AND STAINLESS STEEL DISC WHICH ARE GROUND AND TESTED AS A UNIT.

**STRESS-FREE NOZZLE:** THE STAINLESS STEEL NOZZLE IS FREE OF TORQUE STRESS AND DISTORTION AROUND THE SEAT AREA SINCE IT IS NOT SCREWED INTO THE MAIN BODY.

**BODY AND BONNET:** ARE AVAILABLE IN CARBON STEEL, STAINLESS STEEL AND BRONZE.

**SPRING:** IS AVAILABLE IN VARIOUS STEEL ALLOYS.

**LIFT LEVERS:** CAN BE FURNISHED.

**FACTORY TESTED:** EACH MODEL 4700 & 4900 FLUID MECHANICS SAFETY RELIEF VALVE IS FACTORY TESTED AND FULLY WARRANTED FOR ONE YEAR.