



SAFETY-RELIEF VALVE MODEL 1500 (SERIES 1523 & 1524)

FOR LIQUID SERVICE
AT 10% OVERPRESSURE

THREAD CONNECTIONS

ORIFICE SIZE	INLET	OUTLET
.375	3/4, 1, 1 1/4, 1 1/2 MNPT	1, 1 1/4, 1 1/2 FNPT
	3/4, 1, 1 1/4, 1 1/2 FNPT	MS33649-16,20,24
	MS33649-12,16,20,24 GRAYLOC	GRAYLOC
	MS33656-12,16,24	
	3/4,1" AUTOCLAVE	
.500	1, 1 1/4, 1 1/2 MNPT	1, 1 1/2 FNPT
	1, 1 1/4, 1 1/2 FNPT	MS33649-16,24
	MS33649-16,20,24 GRAYLOC	GRAYLOC
	MS33656-16,24	
	1" AUTOCLAVE	

§ SEE PAGE 89 & 90 FOR PART NUMBERING SYSTEM.

SERIES NO. §	ORIFICE SIZE	SEAT MATERIAL	SET PRESSURE RANGE
1523	.375	PLASTIC ONLY	40 - 3,500
1524	.500	PLASTIC ONLY	40 - 3,500

SEE PAGE 72 FOR CAPACITY CHART

SUGGESTED SEAT MATERIAL

SET PRESSURE	SEAT MATERIAL
40 - 3,000	TEFLON †
3,000 - 3,500	KEL-F †

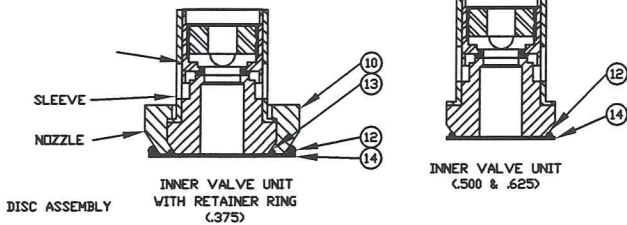
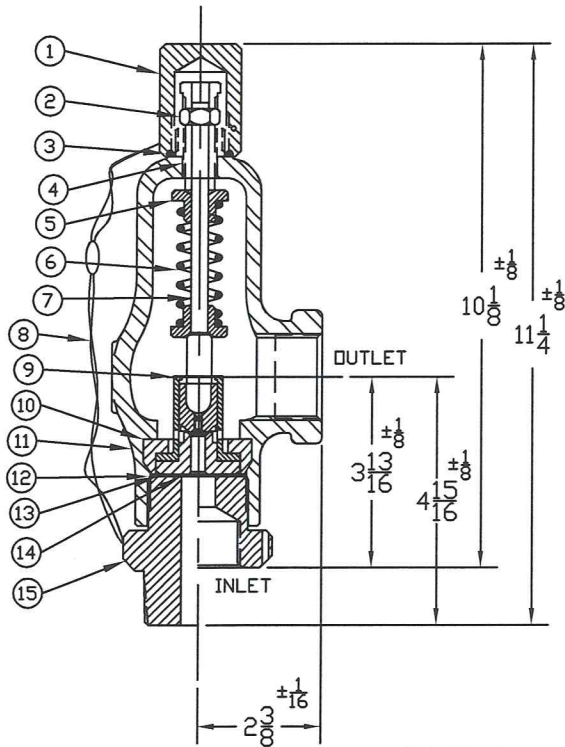
† TEMPERATURE RANGE
TEFLON : -450°F TO 500°F
KEL-F : -400°F TO 400°F

† USE RETAINER & RETAINER SEAL FOR THIS INNER VALVE UNIT ONLY.

† OTHER SPRING MATERIALS AVAILABLE UPON REQUEST.

***IVU FOR .375 OR 316 S/S CLASS HAS 303 S/S SLEEVE 316 S/S NOZZLE

WEIGHT IS APPROX. 12#



ITEM NO.	PART NAME	316 S/S MATERIAL CLASS	CARBON STEEL MATERIAL CLASS
1	HOOD	ASTM A479,TYPE 316	ASME SA29,TYPE 12L14
2	LOCKNUT	ASTM A479,TYPE 316	ASTM A582,TYPE 303
3	HOOD SEAL	TEFLON,BUNA-N,VITON	TEFLON,BUNA-N,VITON
4	PRESSURE SCREW	ASTM A479,TYPE 316	ASTM A582,TYPE 303
5	SPRING PLATES	ASTM A479,TYPE 316	ASTM A582,TYPE 303
6	SPRING	ASTM A313,TYPE 17/7	ASTM A313,TYPE 17/7
7	SPRING POST	ASTM A479,TYPE 316	ASTM A582,TYPE 303
8	SEAL & WIRE	LEAD SEAL,S/S WIRE	LEAD SEAL,S/S WIRE
9	INNER VALVE UNIT***	ASTM A479,TYPE 316	ASTM A479,TYPE 316
10	RETAINER	ASTM A479,TYPE 316	ASTM A582,TYPE 303
11	BONNET	ASME SA351,TYPE CF8M	ASME SA216,TYPE WCB
12	BODY SEAL	TEFLON,BUNA-N,VITON	TEFLON,BUNA-N,VITON
13	RETAINER SEAL	TEFLON,BUNA-N,VITON	TEFLON,BUNA-N,VITON
14	GASKET	TEFLON	TEFLON
15	BODY	ASTM A479,TYPE 316	ASME SA29,TYPE 1018