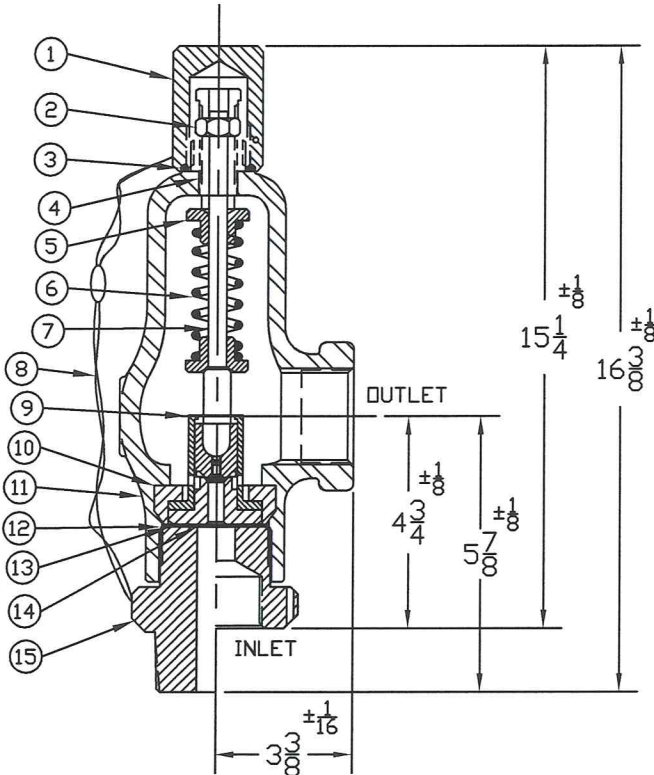




SAFETY-RELIEF VALVE MODEL 1500 (SERIES 1534 & 1536)

FOR LIQUID SERVICE
AT 10% OVERPRESSURE



THREAD CONNECTIONS

ORIFICE SIZE	INLET	OUTLET
.500	1, 1½, 1¾, 2 MNPT OR FNPT	1½, 2, 2½ FNPT
	MS33649-16,20,24,28,32	MS33649-24,32
	MS33656-16,20,24,32 GR	GRAYLOC
.800	1½, 1¾, 2 MNPT OR FNPT	2, 2½ FNPT
	MS33649-20,24,28,32	MS33649-24,32
	MS33656-24,32 GRAYLOC	GRAYLOC

§ SEE PAGE 89 & 90 FOR PART NUMBERING SYSTEM.

SERIES NO. §	ORIFICE SIZE	SEAT MATERIAL	SET PRESSURE RANGE
1534	.500	PLASTIC ONLY	40 - 3,500
1536	.800	PLASTIC ONLY	40 - 3,500

SEE PAGE 72 FOR CAPACITY CHART

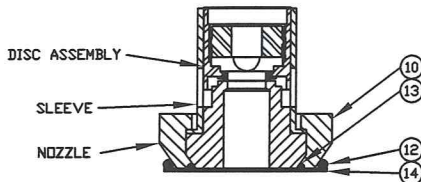
SUGGESTED SEAT MATERIAL

SET PRESSURE	SEAT MATERIAL
40 - 3,000	TEFLON †
3,000 - 3,500	KEL-F †

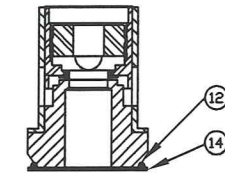
WEIGHT IS APPROX. 30#

† OTHER SPRING MATERIALS
AVAILABLE UPON REQUEST.

† USE RETAINER & RETAINER
SEAL FOR THESE INNER
VALVE UNITS ONLY.



INNER VALVE UNIT
WITH RETAINER RING
(.500 & .625)



INNER VALVE UNIT
(.800 & 1.000)

† TEMPERATURE RANGE
TEFLON : -450°F TO 500°F
KEL-F : -400°F TO 400°F

ITEM NO.	PART NAME	316 S/S MATERIAL CLASS	BRONZE MATERIAL CLASS	CARBON STEEL MATERIAL CLASS
1	HOOD	ASTM A479,TYPE 316	ASTM B16	ASME SA29,TYPE 12L14
2	LOCKNUT	ASTM A479,TYPE 316	ASTM A582,TYPE 303	ASTM A582,TYPE 303
3	HOOD SEAL	TEFLON,BUNA-N,VITON	TEFLON,BUNA-N,VITON	TEFLON,BUNA-N,VITON
4	PRESSURE SCREW	ASTM A479,TYPE 316	ASTM A582,TYPE 303	ASTM A582,TYPE 303
5	SPRING PLATES	ASTM A479,TYPE 316	ASTM A582,TYPE 303	ASTM A582,TYPE 303
6	SPRING	ASTM A313,TYPE 17/7	ASTM A313,TYPE 17/7	ASTM A313,TYPE 17/7
7	SPRING POST	ASTM A479,TYPE 316	ASTM A582,TYPE 303	ASTM A582,TYPE 303
8	SEAL & WIRE	LEAD SEAL:S/S WIRE	LEAD SEAL:S/S WIRE	LEAD SEAL:S/S WIRE
9	INNER VALVE UNIT	ASTM A479,TYPE 316	ASTM A479,TYPE 316	ASTM A479,TYPE 316
10	RETAINER	ASTM A479,TYPE 316	ASTM A582,TYPE 303	ASTM A582,TYPE 303
11	BONNET	ASME SA351,TYPE CF8M	ASTM B584,ALLOY 875	ASME SA216,TYPE WCB
12	BODY SEAL	TEFLON,BUNA-N,VITON	TEFLON,BUNA-N,VITON	TEFLON,BUNA-N,VITON
13	RETAINER SEAL	TEFLON,BUNA-N,VITON	TEFLON,BUNA-N,VITON	TEFLON,BUNA-N,VITON
14	GASKET	TEFLON	TEFLON	TEFLON
15	BODY	ASTM A479,TYPE 316	ASTM B16	ASME SA29,TYPE 1018