

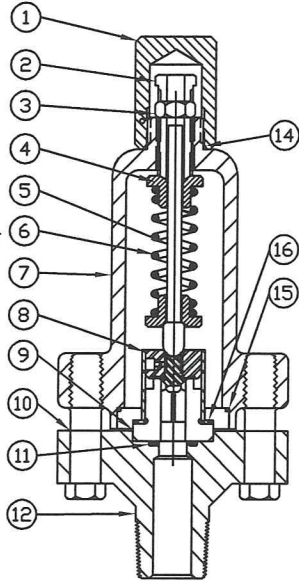
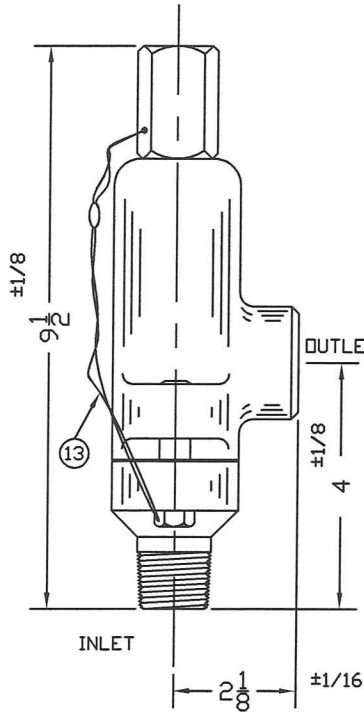


# SAFETY-RELIEF VALVE

## MODEL 4700

(SERIES 474 & 476)

FOR LIQUID SERVICE  
AT 10% OVERPRESSURE



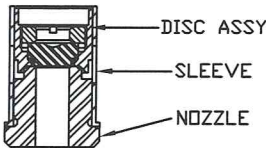
### THREAD CONNECTIONS

ORIFICE SIZE	INLET	OUTLET
.375	3/4,1,1 1/4,1 1/2 MNPT	3/4,1,1 1/4,1 1/2 FNPT
	3/4,1 FNPT	MS33649-16
	MS33649-12,16	3/4,1,1 1/2 SDC WELD
	3/4,1,1 1/2 SDC WELD	
.500	3/4,1,1 1/4,1 1/2 MNPT	3/4,1,1 1/4,1 1/2 FNPT
	3/4,1 FNPT	MS33649-16
	MS33649-12,16	3/4,1,1 1/2 SDC WELD
	3/4-150 & -300 RF	

SERIES NO. §	ORIFICE SIZE	SEAT MATERIAL	SET PRESSURE RANGE
474	.375	PLASTIC ONLY	50 - 3,500
476	.500	PLASTIC ONLY	10 - 3,500

### SUGGESTED SEAT MATERIAL

SET PRESSURE	SEAT MATERIAL
10 - 3,000	TEFLON †
3,000 - 3,500	KEL-F †



INNER VALVE UNIT DETAIL  
PLASTIC SEAT

† TEMPERATURE RANGE: TEFLON : -450°F TO 500°F  
KEL-F : -400°F TO 400°F

SEE PAGE 72  
FOR CAPACITY CHARTS

† OTHER SPRING MATERIALS  
UPON REQUEST.

WEIGHT IS APPROX. 8#

§ SEE PAGE 91 & 92  
FOR PART NUMBERING SYSTEM.

ITEM NO.	PART NAME	BRONZE MATERIAL CLASS	316 S/S MATERIAL CLASS	CARBON STEEL MATERIAL CLASS
1	HOOD	ASTM B16	ASTM A479,TYPE 316	ASME SA29,TYPE 12L14
2	PRESSURE SCREW	ASTM A582,TYPE 303	ASTM A479,TYPE 316	ASTM A582,TYPE 303
3	LOCKNUT	ASTM A582,TYPE 303	ASTM A479,TYPE 316	ASTM A582,TYPE 303
4	SPRING PLATES (2)	ASTM A582,TYPE 303	ASTM A479,TYPE 316	ASTM A582,TYPE 303
5	SPRING POST	ASTM A582,TYPE 303	ASTM A479,TYPE 316	ASTM A582,TYPE 303
6	SPRING	ASTM A313,TYPE 316	ASTM A313,TYPE 316	ASTM A313,TYPE 316
7	BONNET	ASTM B584,ALLOY 875	ASME A351,TYPE CF8M	ASME SA216,TYPE WCB
8	INNER VALVE UNIT	ASTM A582,TYPE 303	ASTM A479,TYPE 316	ASTM A582,TYPE 303
9	RETAINER RING	ASTM A582,TYPE 303	ASTM A479,TYPE 316	ASTM A582,TYPE 303
10	BOLTS (2)	ASTM B16	ASTM A479,TYPE 316	ASME SA29,TYPE 12L14
11	NOZZLE SEAL	TEFLON,BUNA-N,VITON	TEFLON,BUNA-N,VITON	TEFLON,BUNA-N,VITON
12	BODY	ASTM B584,ALLOY 875	ASME A351,TYPE CF8M	ASME SA216,TYPE WCB
13	SEAL & WIRE	LEAD SEAL: COPPER WIRE	LEAD SEAL: S/S WIRE	LEAD SEAL: COPPER WIRE
14	HOOD SEAL	TEFLON,BUNA-N,VITON	TEFLON,BUNA-N,VITON	TEFLON,BUNA-N,VITON
15	RETAINER RING SEAL	TEFLON	TEFLON	TEFLON
16	BACK PRESSURE SEAL	TEFLON	TEFLON	TEFLON