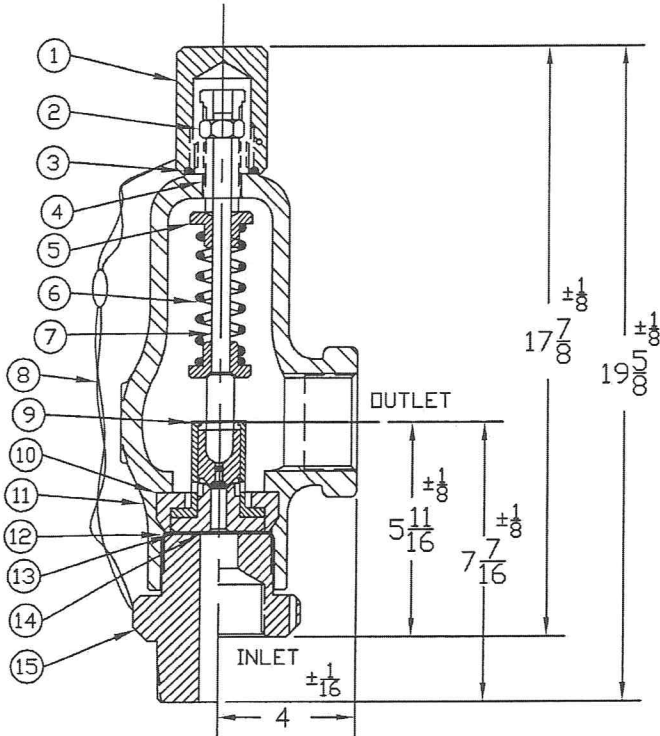




# SAFETY-RELIEF VALVE MODEL 1500

(SERIES 1546, 1547 & 1548)

FOR AIR & GAS SERVICE,  
AT 10% OVERPRESSURE  
METAL SEATS ONLY

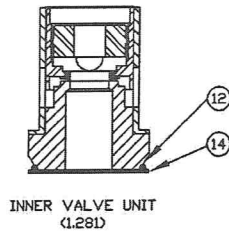
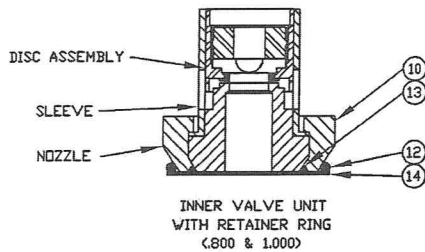


### THREAD CONNECTIONS

ORIFICE SIZE	INLET	OUTLET
.800, 1.000 & 1.281	2, 2½, 3" FNPT 2, 2½, 3" MNPT MS33656-24,32	2½, 3" FNPT

§ SEE PAGE 89 & 90 FOR PART NUMBERING SYSTEM.

SERIES NO. §	ORIFICE SIZE	SEAT MATERIAL	SET PRESSURE RANGE
1546	.800	METAL ONLY	40 - 1,000
1547	1.000	METAL ONLY	40 - 1,000
1548	1.281	METAL ONLY	40 - 1,000



WEIGHT IS APPROX. 45#

‡ OTHER SPRING MATERIALS AVAILABLE UPON REQUEST.

† USE RETAINER & RETAINER SEAL FOR THESE INNER VALVE UNITS ONLY.

ITEM NO.	PART NAME	316 S/S MATERIAL CLASS	BRONZE MATERIAL CLASS	CARBON STEEL MATERIAL CLASS
1	HOOD	ASTM A479,TYPE 316	ASTM B16	ASME SA29,TYPE 12L14
2	LOCKNUT	ASTM A479,TYPE 316	ASTM A582,TYPE 303	ASTM A582,TYPE 303
3	HOOD SEAL	TEFLON,BUNA-N,VITON	TEFLON,BUNA-N,VITON	TEFLON,BUNA-N,VITON
4	PRESSURE SCREW	ASTM A479,TYPE 316	ASTM A582,TYPE 303	ASTM A582,TYPE 303
5	SPRING PLATES	ASTM A479,TYPE 316	ASTM A582,TYPE 303	ASTM A582,TYPE 303
‡ 6	SPRING	ASTM A313,TYPE 17/7	ASTM A313,TYPE 17/7	ASTM A313,TYPE 17/7
7	SPRING POST	ASTM A479,TYPE 316	ASTM A582,TYPE 303	ASTM A582,TYPE 303
8	SEAL & WIRE	LEAD SEAL/S/S WIRE	LEAD SEAL/S/S WIRE	LEAD SEAL/S/S WIRE
9	INNER VALVE UNIT	ASTM A479,TYPE 316	ASTM A479,TYPE 316	ASTM A479,TYPE 316
† 10	RETAINER	ASTM A479,TYPE 316	ASTM A582,TYPE 303	ASTM A582,TYPE 303
11	BONNET	ASME SA351,TYPE CF8M	ASTM B584,ALLOY 875	ASME SA216,TYPE WCB
12	BODY SEAL	TEFLON,BUNA-N,VITON	TEFLON,BUNA-N,VITON	TEFLON,BUNA-N,VITON
† 13	RETAINER SEAL	TEFLON,BUNA-N,VITON	TEFLON,BUNA-N,VITON	TEFLON,BUNA-N,VITON
14	GASKET	TEFLON	TEFLON	TEFLON
15	BODY	ASTM A479,TYPE 316	ASTM B16	ASME SA29,TYPE 1018